

# FPM-080XA

## 8inch Industrial Touch Monitor



### Features

- Flat Panel Screen, 5mm ultra-thin
- 8inch LED Panel with resistive / capacitive touchscreen
- Streamlined Design
- HDMI+VGA Signal Input
- Aluminum Casing
- Front Panel IP65 Level
- Supports VESA Mount / Embedded Mount

### Specifications

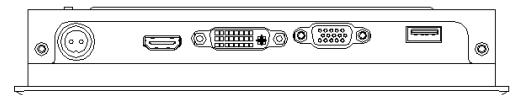
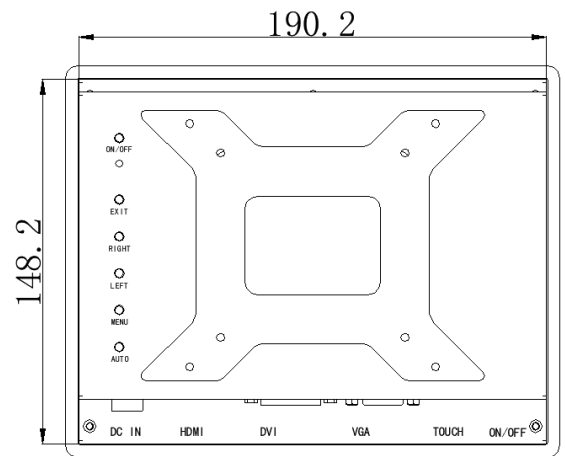
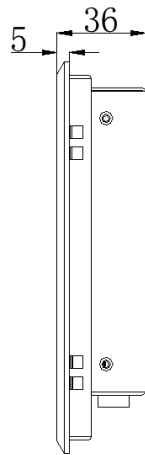
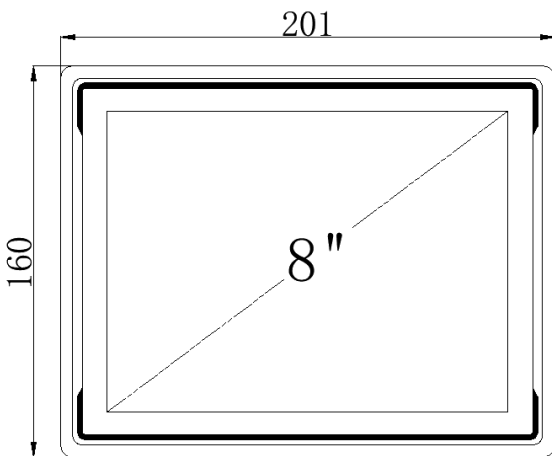
<b>LCD Display</b>	Display Type:	8inch TFT LED Panel( LED Backlight)
	Max. Resolution:	1024x768
	Luminance(cd/m <sup>2</sup> )	300 nits
	Backlight Lifetime	30,000hrs (typical)
	View Angle(H°/V°)	160/160
<b>Features</b>	Signal Input	VGA+ HDMI
	Colors	16.7M
	Response Time	5ms
<b>Touchscreen</b>	Touch Type	5-wire Resistive / Projected Capacitive Touch
	Controller	USB interface
<b>Environment</b>	Operating Temperature	-10°C ~ 60°C(14~ 140 °F)
	Storage Temperature	-20°C ~ 70°C(-4 ~ 158 °F)
	Front Panel Protection	IP65 compliant
<b>Mechanical</b>	Dimensions	201x160x36mm, cutout size 190.2x148.2mm
	Weight	N.W. 2.1KG
	Color	Black
	Material	Aluminum
<b>Mount Way</b>	Mount Way	Panel Mount / VESA Mount (75x75mm & 100x100mm)
<b>Input Voltage</b>	Input Voltage	12V 2A
<b>Custom Service</b>	Custom Service	Custom LOGO

## Pictures



## Dimensions

Unit: mm



Packing List	Ordering Information
1x FPM-080XA	FPM-0801A: 5-wire Resistive Touch Version
HDMI,VGA Cable (2 choose 1)	FPM-0802A: Projected Capacitive Touch Version
1x Power Adapter	