

KLD-1062E

10inch Industrial Panel PC



Features

- Aluminum die-casting chassis, fanless design
- 10inch LED TFT LCD, capacitive touch
- 1920*1200 wide screen
- Intel Baytrail Celeron J1900 2.0-2.42G CPU
- 3*COM, 2*LAN, 3*USB2.0, 1*USB3.0
- AT & ATX Model
- Front Panel IP65 Level
- DC 9~36V power input optional

KLD-1062E is an intelligent, fanless panel PC, 10" Panel PC equipped with an Intel® Bay Trail processor. Meeting the demands of harsh environments, in addition, the dual GbE LAN, 3 x serial ports, 4 x USB ports, make device connection and integration easy.

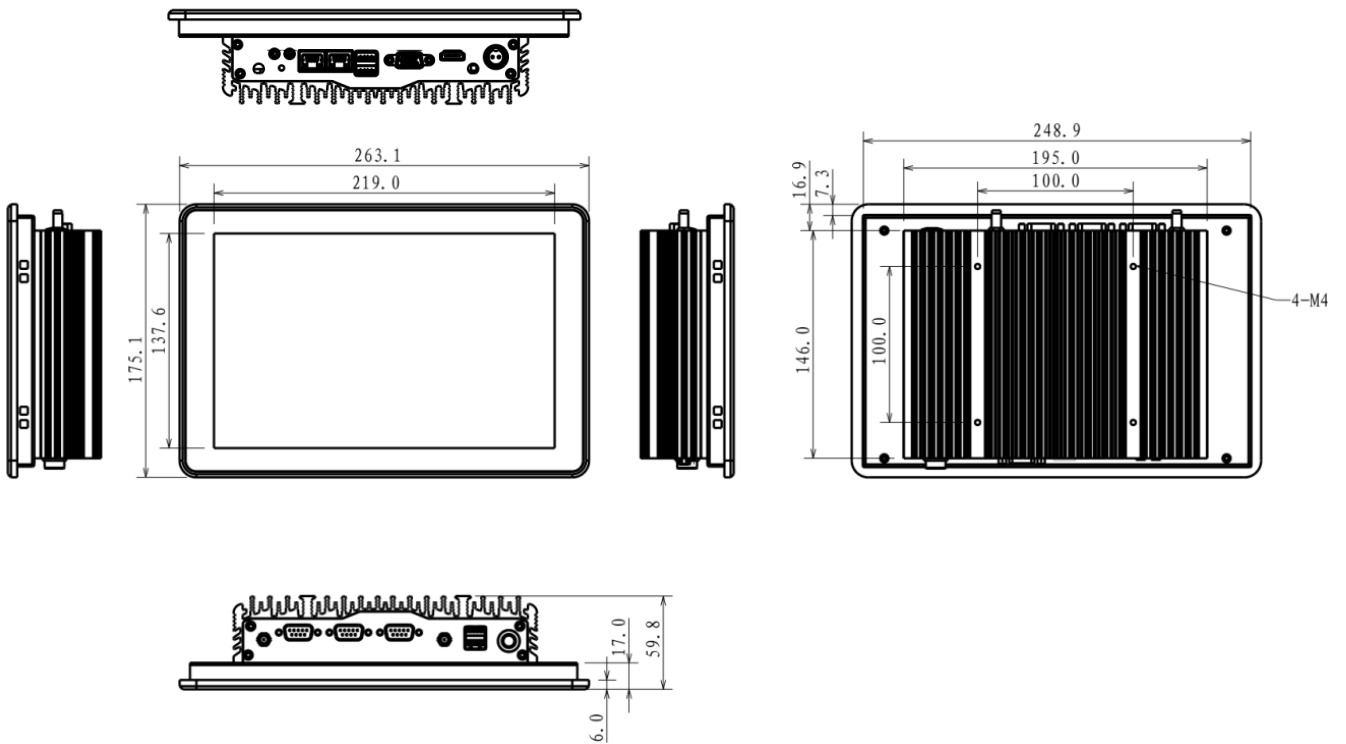
Specifications

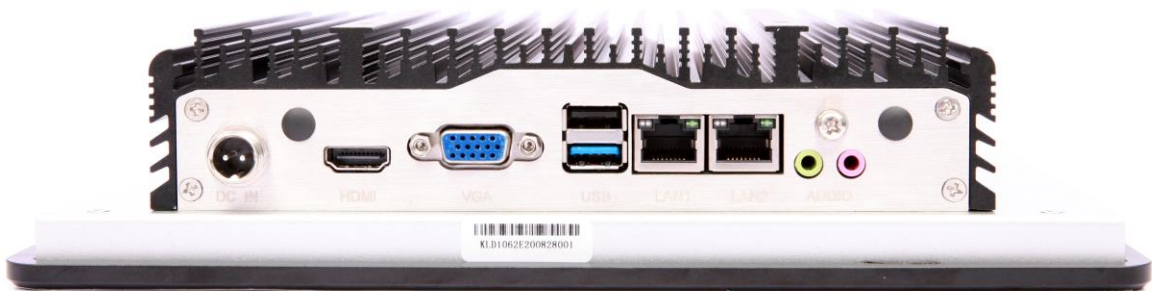
Processor	CPU	Intel Baytrail-D Celeron J1900, 2.0~2.42GHz, 4cores, 4threads, 2M cache, 22nm,TDP 10W	
	Cooling System	Fanless	
	Memory	Onboard DDR3L, max 4GB	
	Storage	1*mSATA SSD Full Size	
	I/O ports		3xUSB2.0+ 1xUSB3.0, Type-A
			COM: 3xRS232, DB9, 2*RS485 optional
			Dual Display: 1xHDMI (1920*1200 @30Hz) 1*VGA (1920*1200 @30Hz)
Network(LAN)	2x 10/100/1000Mbps Ethernet		
Input Voltage	Input Voltage	12V DC(Aviation Connector) , optional 9V-36V DC	
	Control SW/LED	Power Button, AT & ATX Model	
LCD Display	Display Type:	10inch TFT LED Panel(LED Backlight)	
	Max. Resolution:	1920x1200 / 16:9	
	Luminance(cd/m ²)	300nits	
Touchscreen	Touch Type	Capacitive Touch	
OS Support	OS Support	Windows 7/ Windows 8/ Windows 10/ Linux	

Environment	Operating Temperature	-10°C ~ 60°C(14~ 140 °F)(extend temperature optional)
	Storage Temperature	-20°C ~ 70°C(-4 ~ 158 °F)
	Front Panel Protection	IP65 compliant
Mechanical	Dimensions	(W*H*D): 263x175x60mm Cutting size: 248.9x160.5mm
	Weight	2.8KG (N.W.)
	Color	Black
	Material	Aluminum
Custom Service	Custom Service	Custom BIOS, System Encryption, Custom LOGO

Dimensions

Unit: mm







Packing List	Ordering Information
1x KLD-1062E	KLD-1062E-1: Projected Capacitive Touch Version
1x Driver CD	Operating Systems
1x Power Adapter	WIN7 32bit 64bit ENG/CN
Optional accessories	WIN8 32bit 64bit ENG/CN
VESA Bracket	WIN10 32bit 64bit ENG/CN
Power Cable 2-pin 200cm	Linux Ubuntu 12.04/16.04/18.04